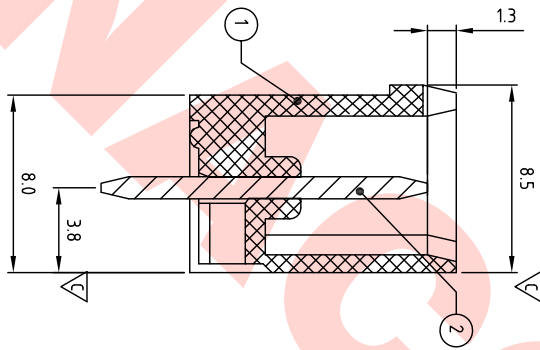
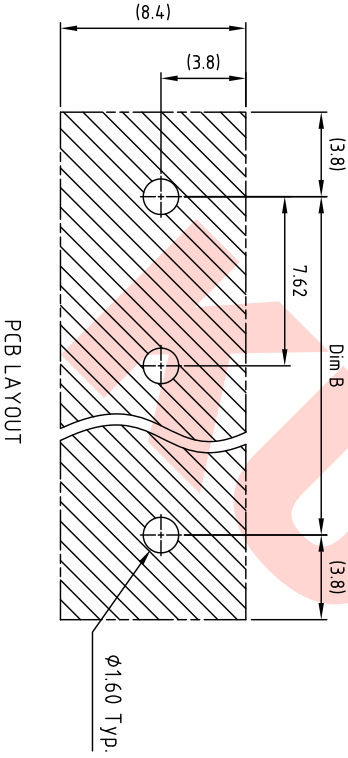
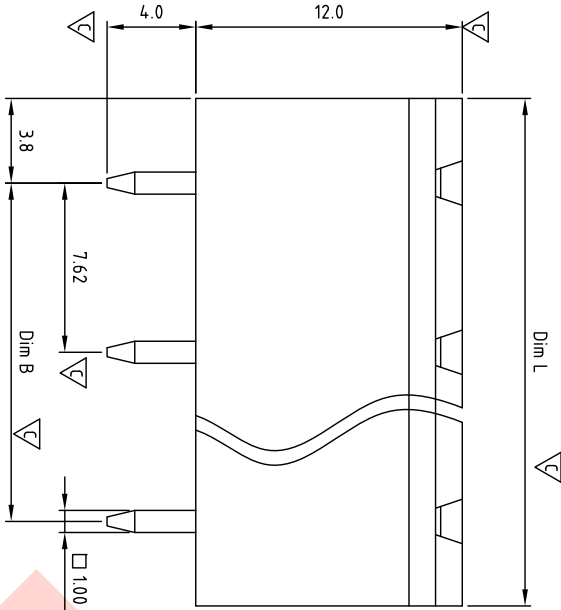
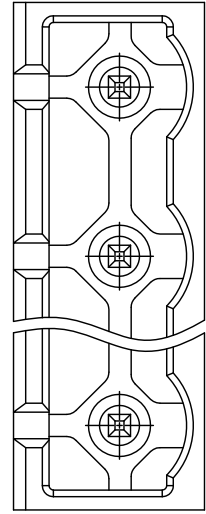


Transfer or duplication of this document as well as the utilisation or communication of its content are not permitted unless express consent is granted. Violations give rise to claims for damages. All rights reserved in case of patent, utility model or design patent registrations.



Technical data

- 1.Nominal voltage: 300V/15A
PITCH:7.62mm
- 2.Insulation Withstands Voltage:
AC 1600V/MIN
- 3.Insulation Resistace:
1000M Ω or more at DC500V
- 4.Using temperature range:-40C° ~115C°
- 5.Soldering temperature range:250C° \pm 10C°/5sec
- 6.Safety approval:
- 7.RoHS Compliance
- 8.Critical dimension:
- 9.Undimentioned Tolerances:

0-30mm	±0.15	±0.20
over 30mm-60mm	±0.20	±0.25
over 60mm-90mm	±0.25	±0.30
over 90mm	±0.30	±0.40

- HABV762 ~~XX X XXX~~
 ① Poles 02-16
 ② Color
 0 Black 3 Orange 5 Green 6 Blue G Pale Gray....
 ③ Custom
 000 K-MARK 00K KUNACON MARK....

SIGN: _____ DESCRIPTION: _____ CHK: _____ DATE: _____

2	PIN	COPPER	TIN PLATED	P
1	BODY	PA66 UL94V-0	ALL COLOR	1
ITEM NAME OF PART MATERIAL NOTES				
DWG/WF: Zhang	DATE: 2016.03.10	UNITS: MM	SHEET: 1 OF 1	Tolerance
CHK: W/F: Zhang	DATE: 2016.03.10	SCALE: NONE 3:1 (.)	REV: A	±0.50
APP: Marvin Zhang	DATE: 2016.03.31	TITLE: HA-BV762 Series Close type Vertical (180D)		±0.30
		PART NO: HABV762XXXXXX		±0.10
		DWG NO: HA-B762-B001		±1°



KUNA CONTACT TECHNOLOGY CO., LTD
 http://www.kunacon.com