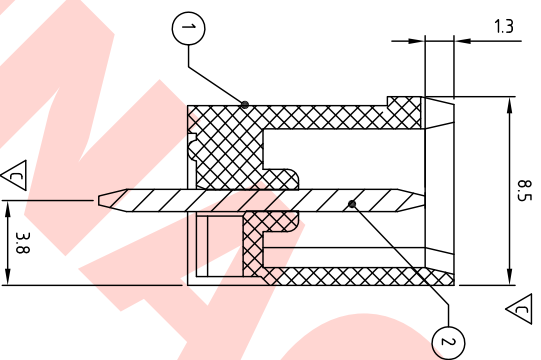


RECOMMENDED PCB LAYOUT



Technical data

- 1.Nominal voltage: 300V/15A (IEC 320V/12A) PITCH:5.0mm
- 2.Insulation Withstands Voltage: AC 1600V/MIN / AC 2500V/MIN
- 3.Insulation Resistace: 1000MΩ or more at DC500V
- 4.Using temperature range:-40°C ~115°C
- 5.Soldering temperature range:250°C±10°C/5sec
- 6.Safety approval:
- 7.RoHS Compliance
- 8.Critical dimension:
- 9.Undimensioned Tolerances:

Dim L=P×5.0+2.0	Dim B=(P-1)×5.0	Dim B	Dim L
P = number of poles 2-24P			
0-30mm	±0.15	±0.20	±0.25
over 30mm-60mm	±0.20	±0.25	±0.30
over 60mm-90mm	±0.25	±0.30	±0.40
over 90mm	±0.30		±0.40

HABV500 XX X XXX

- ① Poles 02-24
- ② Color
- 0 Black 3 Orange 5 Green 6 Blue:....
- ③ Custom
- 000 K MARK 00K KUNACON MARK.....

ITEM	NAME OF PART	MATERIAL	NOTES
2	PIN	BRASS	TIN PLATED
1	BODY	PA66 UL94V-0	

DWG	WF	Zhang	DATE	2016.03.10	UNITS	MM	SHEET	1 OF 1	Tolerance
CHK	WF	Zhang	DATE	2016.03.10	SCALE	NONE 3:1 (.)	REV	A	±0.50
APP	WF	Zhang	DATE	2016.03.31	TITLE	HA-BV500 Series Close type XXX Vertical (180D)			
PART NO.		HABV500XXXXXX							
DWG NO.		HA-B500-B001							

SIGN	DESCRIPTION	CHK	DATE
△			

KUNA CONTACT TECHNOLOGY CO., LTD  
http://www.kunacon.com

